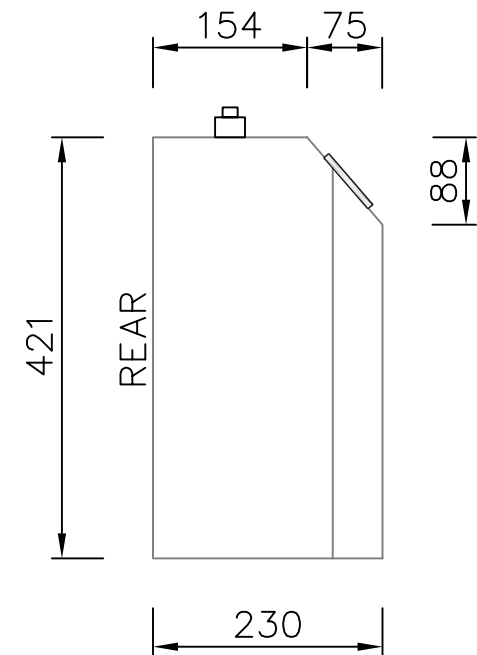
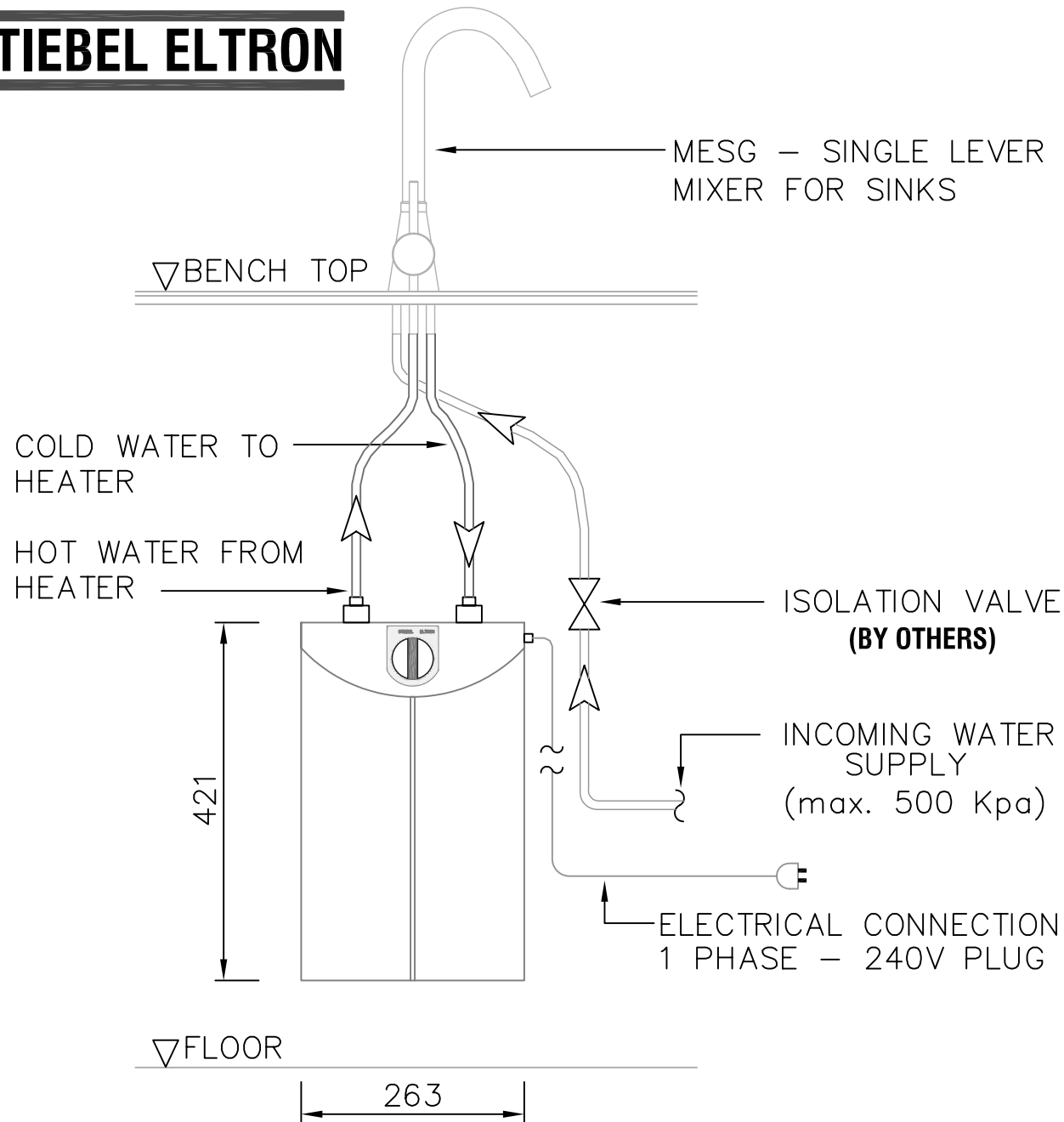


STIEBEL ELTRON

NOTE:

INSTALLATION REQUIREMENTS AS PER A.S. 3500.4.2



SNU5/MESG

NTS

UPDATED 17/04/08