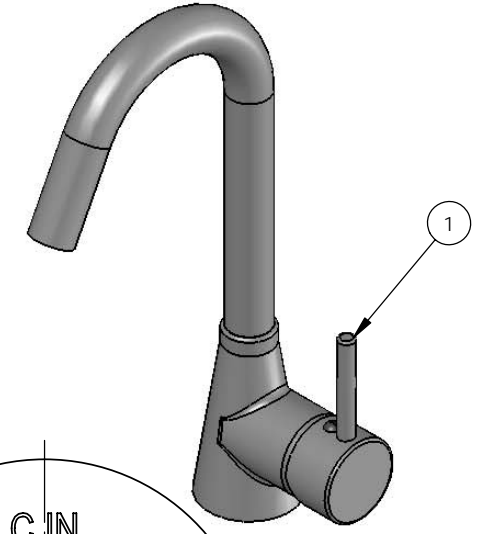
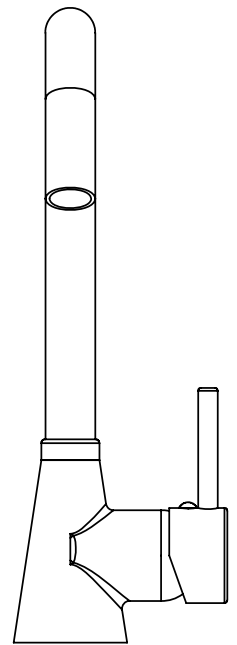
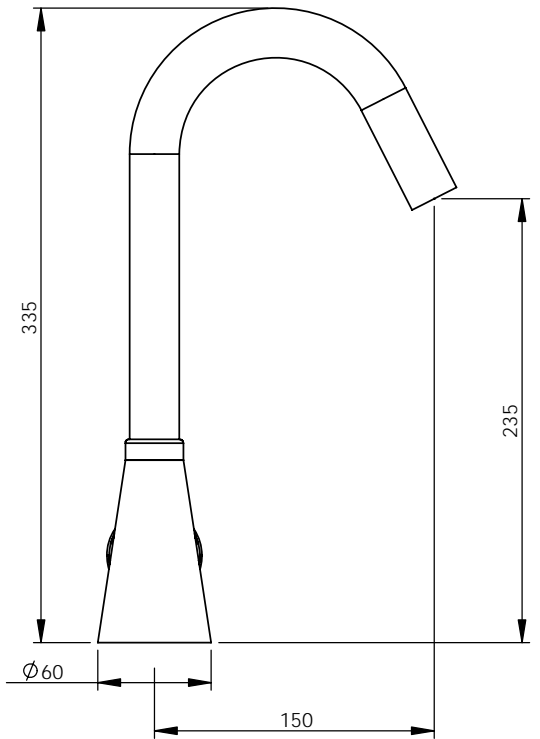
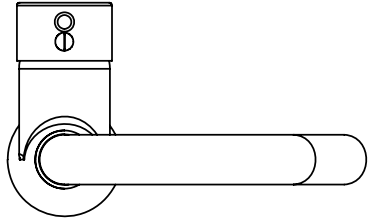
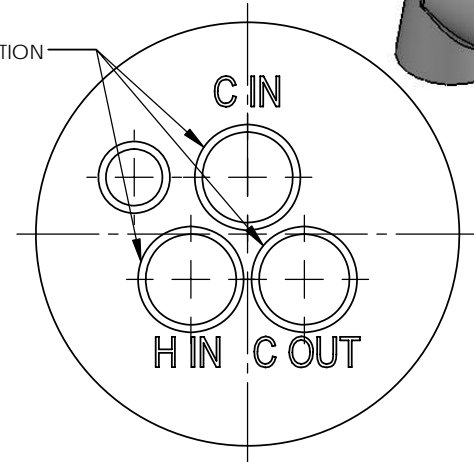


ITEM NO.	PART NUMBER	DESCRIPTION	QTY.
1	894313	MIXER SINGLE LVR SINK MESG OPEN VENTED	1



M10X1 CONNECTION



**APPROVED**  
By L. Rosenberger at 2:03 pm, Nov 22, 2007

REV	DATE	CN	AMMENDMENTS	MODIFIED BY
A	23/08/07		FIRST ISSUE	
B	22/11/07		BOM ADDED	KN

**GENERAL NOTES:**  
REMOVE ALL BURRS AND SHARP EDGES UNLESS OTHERWISE STATED  
DIMENSIONS ARE IN mm's

**TOLERANCE EXCEPT WHERE STATED:**  
NO DECIMAL POINT / 0.2  
ONE DECIMAL PLACE / 0.1  
TWO DECIMAL PLACES / 0.05  
ANGLES / 1

ENWARE RESERVES THE RIGHT TO AMEND PRODUCT SPECIFICATIONS AND DESIGNS WITHOUT NOTICE.

DRAWN	KN	9 Endeavour Rd, Caringbah, NSW, 2229 Ph. 61-2-9525-9511 Fax. 61-2-9524-8421	
CHECKED			
APPROVED			
TITLE: <b>SINGLE LEVER MIXER MESG OPEN VENTED</b>			
Scale: Not To Scale		Scale: Not To Scale	
MATERIAL: FINISH: <b>CHROME PLATED</b>			
This drawing is the Copyright of Enware Australia Pty Ltd and may not be reproduced in full or part without the written consent of Enware Australia Pty Ltd		DWG NO. <b>SLM509</b>	SHEET 1 OF 1