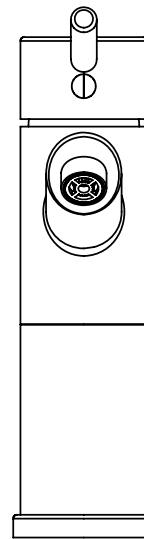
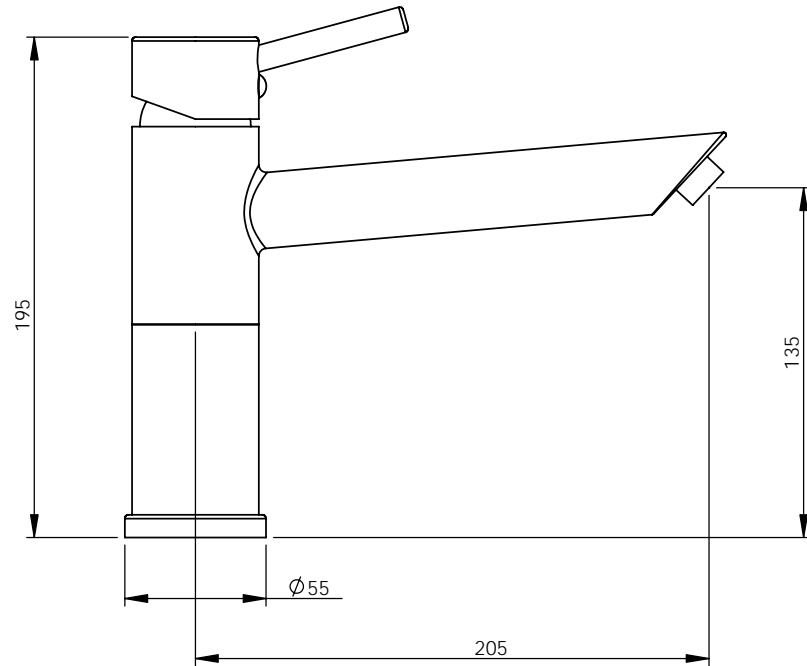
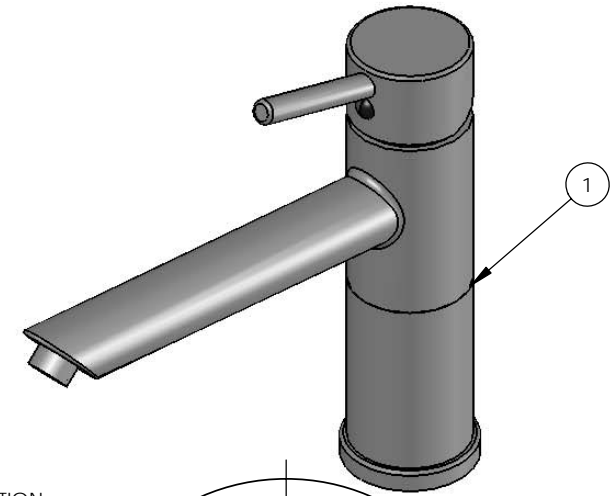
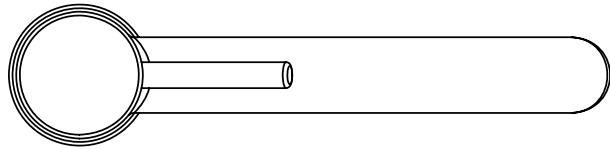
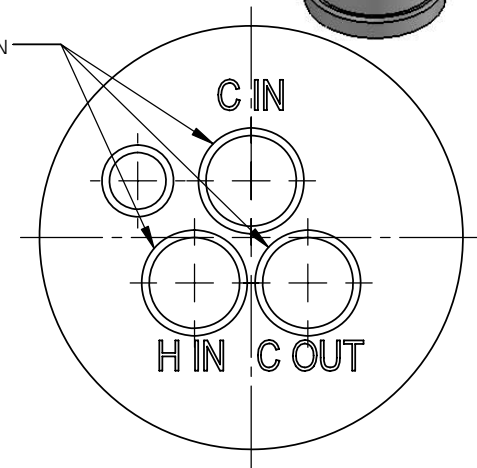


ITEM NO.	PART NUMBER	DESCRIPTION	QTY.
1	894312	MIXER SINGLE LVR BASIN MESA OPEN VENTED	1



M10x1
CONNECTION



APPROVED
By L. Rosenberger at 1:53 pm, Nov 22, 2007

REV	DATE	CN	AMMENDMENTS	MODIFIED BY
A	23/08/07		FIRST ISSUE	
B	22/11/07		BOM ADDED	KN

GENERAL NOTES:
REMOVE ALL BURRS AND SHARP EDGES UNLESS OTHERWISE STATED
DIMENSIONS ARE IN mm's

TOLERANCE EXCEPT WHERE STATED:

NO DECIMAL POINT	/ 0.2
ONE DECIMAL PLACE	/ 0.1
TWO DECIMAL PLACES	/ 0.05
ANGLES	/ 1

ENWARE RESERVES THE RIGHT TO AMEND PRODUCT SPECIFICATIONS AND DESIGNS WITHOUT NOTICE.

DRAWN	KN	9 Endeavour Rd, Caringbah, NSW, 2229 Ph. 61-2-9525-9511 Fax. 61-2-9524-8421	
CHECKED			
APPROVED			
TITLE: SINGLE LEVER MIXER MESA OPEN VENTED			
Scale: Not To Scale		Scale: Not To Scale	
MATERIAL:			
FINISH: CHROME PLATED			
This drawing is the Copyright of Enware Australia Pty Ltd and may not be reproduced in full or part without the written consent of Enware Australia Pty Ltd		DWG NO. SLM505	SHEET 1 OF 1