

Technical Data:

Single phase instantaneous water heater

STIEBEL ELTRON

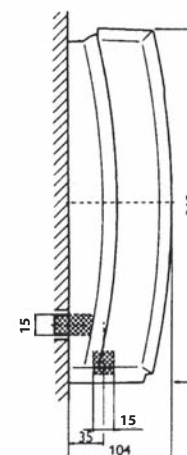
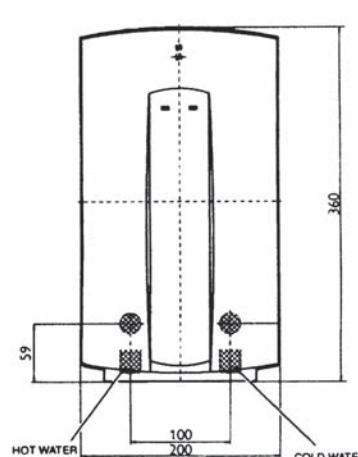
Model	DHC4*	DHC6	DHC8
	*NOTE – Recommended for use in Northern parts of Australia only.		
Electrical Connection	4.8kW 20 amps 240V	7.2kW 30 amps 240V	9.6kW 40 amps 240V
Switch on flow rate (litres/minute)	>1.4	>2.3	>2.9
Electrical Installation	As per AS3000		
Nominal Capacity	0.5 litres		
Type of System	Single phase instantaneous		
Permissible Operating Pressure	1000kPa		
Dimensions			
Height	360mm		
Width	200mm		
Depth	105mm		
Weight Filled With Water	2.9kg		
Approvals	Australian Standards Watermark AS3498 LicW301		
Element Type	Tubular heating element		
Installation Requirements	AS3500.4.2 and local authority regulations		

Add the below temperature to the cold water inlet temperature

	4 L/min	5 L/min	6 L/min	7 L/min	8 L/min
DHC4	17°C	14°C	11°C	10°C	9°C
DHC6	25°C	20°C	16°C	15°C	13°C
DHC8	33°C	26°C	22°C	20°C	17°C

Why the Stiebel Eltron Single phase instantaneous is right for you.

- Australian Standards WaterMark
- Hot water at any time
- Installer and user friendly
- Innovative space saving design
- Hydraulically controlled
- Saves energy, time and water
- No safe tray and drainage required
- Point of use installation
- Market leading warranty
- Designed for Australian conditions



DHC4, DHC6, DHC8 – 15mm connections for either interior wall or exposed lower connection.

DISTRIBUTED BY:

FREE CALL: 1800 153 351

• Melbourne • Sydney • Brisbane • Perth • Adelaide • Darwin • Tasmania • **New Zealand: 0800 200 510**

www.stiebel.com.au

WaterMark
AS 3498 Lic W301
Standards Australia